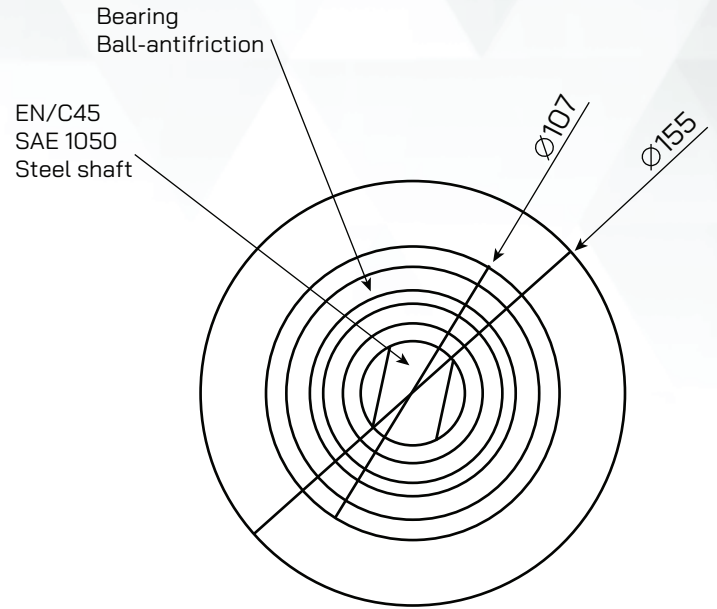
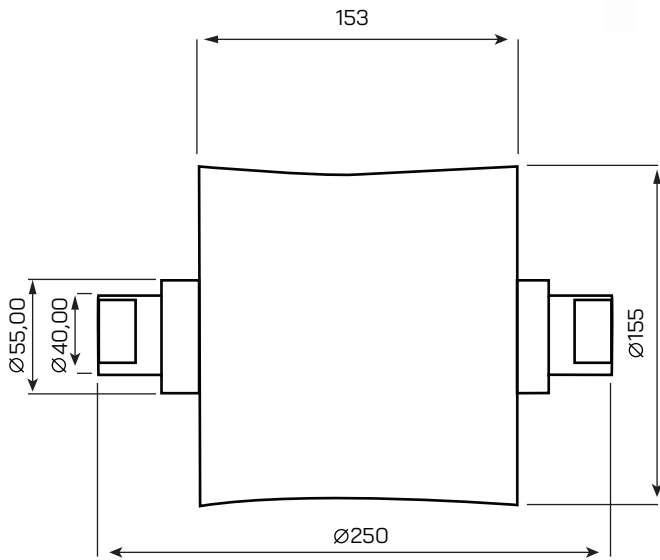


2''- 48'' PIPE ROLLER STAND

- Available from 2'' to 48'' pipes.
- Adjust in specific pipe sizes.
- High grade polyurethane material.
- Easy to dissem bleand transport.
- Two bearing spereach roller make sure smooth resistant free rolling.
- Heavy duty bearing with certificate.

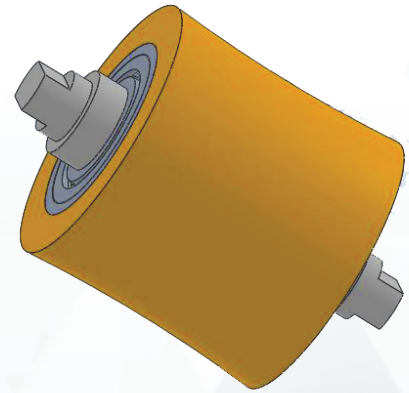
ROLLERS SPECIFICATIONS

DIAMETERS	LENGHT	COVER	BEARING	BODY
mm	mm	Material	Type	Material
155	153	POLYURETHANE	Ball-Antifriction	Seamless Pipe

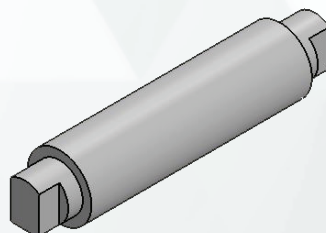


POLYURETHANE COVER SPECIFICATIONS

	90A/MOCA
Hardness (Shore A)	90
Tensile Strength (MPa)	31,0
100% Modulus (MPa)	7,6
200% Modulus (MPa)	-
300% Modulus (MPa)	14,5
AngleTearStrength(DIE C (kN/m)	85
TrouserTearStrength(DIE C (kN/m)	-
Elongation (%)	420
Resilience (%)	55
Abrasion (mm ³)	55
CuredDensity (g/cm ³)	1,10

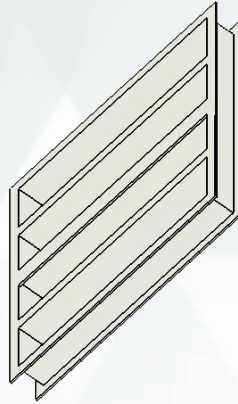


SHAFT



Material	Tensile Test	Yield Strength (N/mm ²)	Tensile Strength (N/mm ²)	Elongation (A%)	Reduction in Area	Yield to Strenght Ratio	Hardness
SAE 1050/C45	ISO EN 6892-1	415	721	23	47	0,58	220 HB

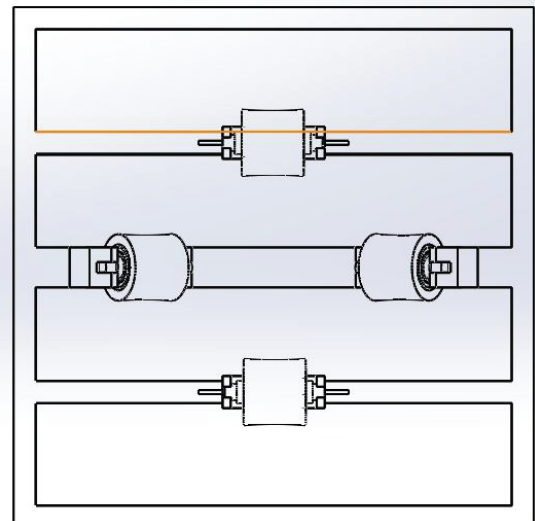
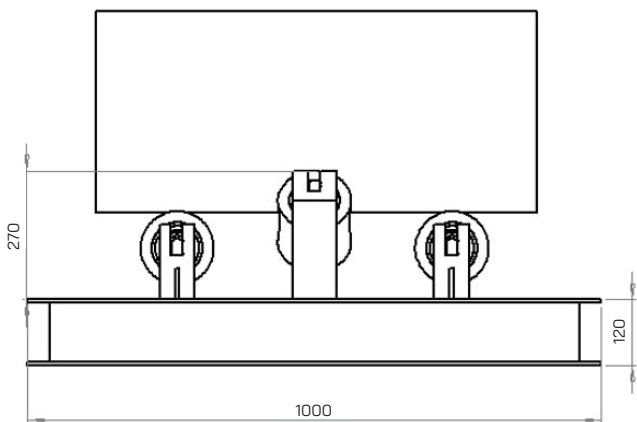
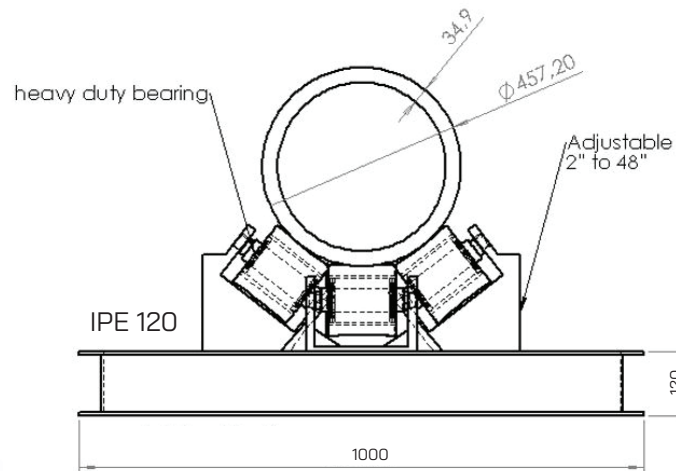
IPE 120 STELL FRAME

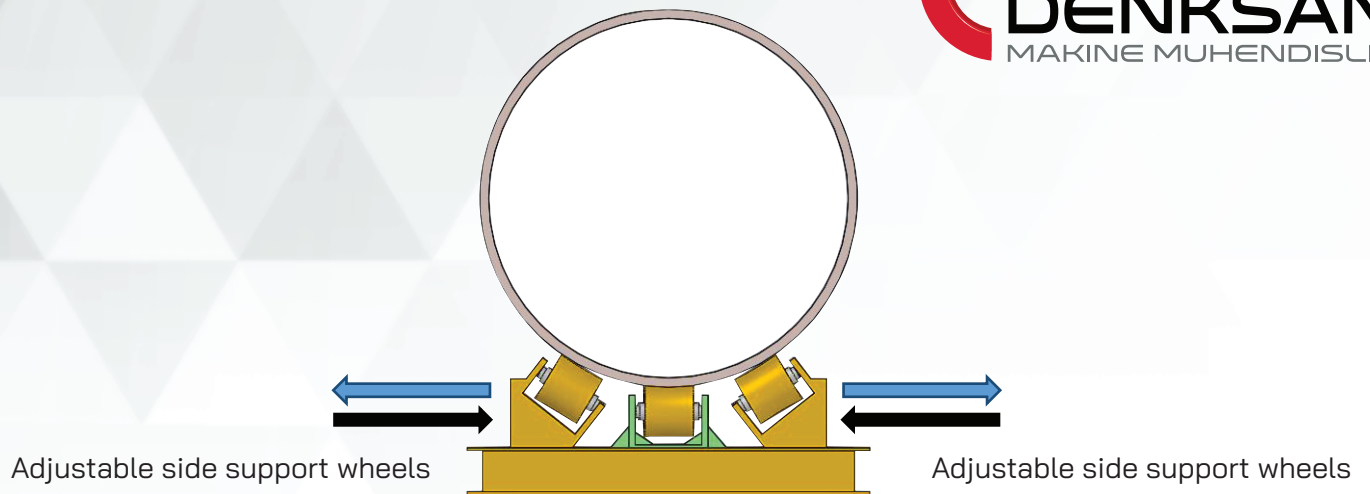


Material	Quality	Size	C %	MN %	Si %	S %	P %	N %	Al %	CE %	N/mm2	N/mm2	%
Heat Steel	S235JR	120 IPE	0,13	0,65	0,16	0,024	0,01	0,008	0,0028	0,29	350	480	34

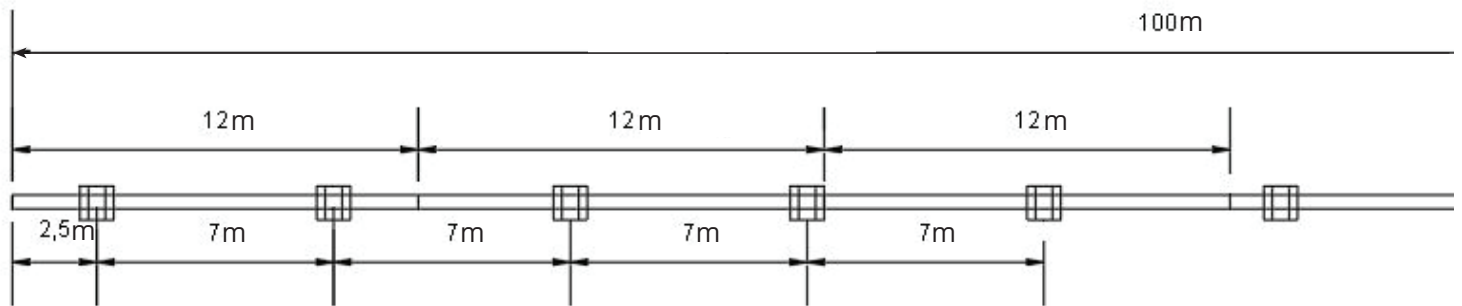
STEEL FRAME

Frame Material	Total Mass	Dimensions	Number of Roller	Bottom Cover	Roller Surface	Capacity
IPE 120	150 Kg	1000x1000x250	4 Nos	None	Polyurethane	15 Ton





RECOMMENDED STAND PLACEMENT



* Stand placement on a 100-meter line

Pipe Size Range	Number of Stands	Displacement between Stands	Capacity
2"- 48"	12 or 14 Stands / 100m	7 m or 8 m	15 Tons / each

* Different layout can be applied according to pipe diameter and terrain conditions.